



### Rolled knuckle continuous hinge - 15 mm width

Opening angle 270°. Other lengths and pin materials are available on request. Specific drilling requirements are also available on request.

Part number	Material	Finish	A	B	C	D	E	Pin material	Note	Weight (g)
40-1-3327	steel	raw	2040	15	0.7	1.5	15	steel	undrilled	260



### Rolled knuckle continuous hinge - 20 mm width

Opening angle 270°. Other lengths and pin materials are available on request. Specific drilling requirements are also available on request.

Part number	Material	Finish	A	B	C	D	E	F	G	S	Pin material	Note	Weight (g)
40-1-3321	steel	raw	2040	20	0.8	2	15	11.2	60	2.8	steel	drilled	310
40-1-3328	steel	raw	2040	20	0.8	2	15				steel	undrilled	320
41-1-3529	5754 alu	raw	2000	20	0.6	2.4	15				steel	undrilled	117
42-1-3664	304 stainless steel	raw	2040	20	0.8	2	15				stainless steel	undrilled	320
42-1-4195	304 stainless steel	raw	2040	20	0.8	2	15	11.2	60	2.8	stainless steel	drilled	310

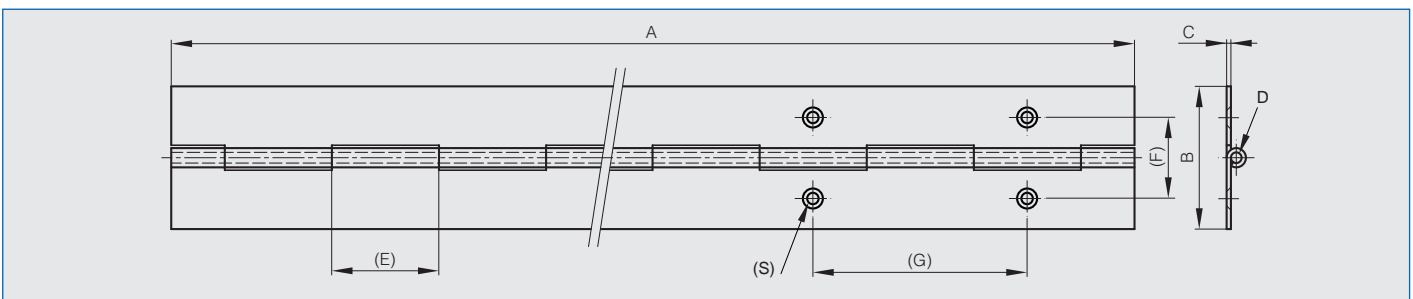


### Rolled knuckle continuous hinge - 25 mm width

Opening angle 270°. Other lengths and pin materials are available on request. Specific drilling requirements are also available on request.

Hinge in raw galvanised steel is made of pregalvanised steel. Therefore any cut surface is ungalvanised.

Part number	Material	Finish	A	B	C	D	E	F	G	S	Pin material	Note	Weight (g)
40-1-3322	steel	raw	2040	25	0.8	2	15	14.2	60	2.8	steel	drilled	420
40-1-3329	steel	raw	2040	25	0.8	2	15				steel	undrilled	440
40-1-4677	galvanised steel	raw	1800	25	1.2	3	30				brass	undrilled	500
41-1-3530	5754 alu	raw	2000	25	0.8	2	15				steel	undrilled	146
42-1-4196	304 stainless steel	raw	2040	25	0.8	2	15	14.2	60	3.6	stainless steel	drilled	420
42-1-3767	304 stainless steel	raw	2040	25	0.8	2	15				stainless steel	undrilled	448
42-1-4096	304 stainless steel	raw	1800	25	1	2	15				stainless steel	undrilled	500
42-1-3949	304 stainless steel	raw	2040	25	1	2	15				stainless steel	undrilled	558
43-1-3301	brass	polished	2040	25	0.8	2	15	14.2	60	3.6	stainless steel	drilled	460
43-1-3311	brass	raw	2040	25	0.8	2	15				stainless steel	undrilled	470





## Continuous hinges

### Rolled knuckle continuous hinge - 30 mm width

Opening angle 270°. Other lengths and pin materials are available on request. Specific drilling requirements are also available on request.



Part number	Material	Finish	A	B	C	D	E	F	G	S	Pin material	Note	Weight (g)
40-1-3323	steel	raw	2040	30	0.8	2	15	16.8	60	3.9	steel	drilled	460
40-1-3330	steel	raw	2040	30	0.8	2	15				steel	undrilled	510
40-1-3679	steel	raw	2040	30	1	2	15				steel	undrilled	640
40-1-3680	steel	raw	2040	30	1	2	15	16.8	60	3.9	steel	drilled	640
40-1-4370	steel	raw	2000	30	2	6	30				steel	undrilled	1800
42-1-3580	304 stainless steel	raw	2040	30	0.8	2	15				stainless steel	undrilled	510
42-1-4089	304 stainless steel	raw	1800	30	1	2	15				stainless steel	undrilled	500
42-1-3300	304 stainless steel	raw	2040	30	1	2	15				stainless steel	undrilled	670
42-1-4197	304 stainless steel	raw	2040	30	1	2	15	16.8	60	3.9	stainless steel	drilled	640
42-1-3950	304 stainless steel	raw	2000	30	1.5	4	30				stainless steel	undrilled	1283
42-1-3948	304 stainless steel	raw	2000	30	2	6	25				stainless steel	undrilled	1800
42-1-4000	316L stainless steel	raw	2040	30	1	2	15				stainless steel	undrilled	670
43-1-3302	brass	polished	2040	30	0.8	2	15				stainless steel	undrilled	530
43-1-3312	brass	raw	2040	30	0.8	2	15				stainless steel	undrilled	520
43-1-3523	brass	raw	2040	30	1	2	15				stainless steel	undrilled	700
43-1-3524	brass	polished	2040	30	1	2	15				stainless steel	undrilled	710

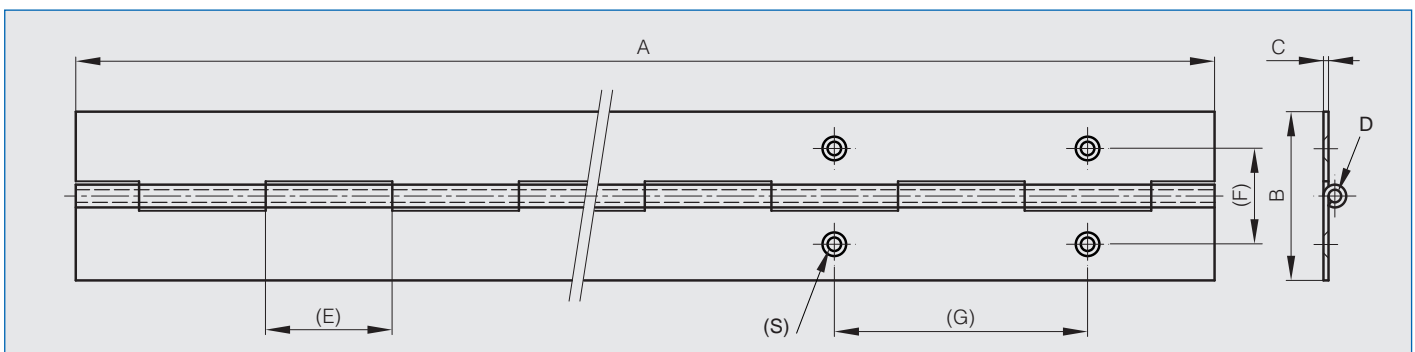
### Rolled knuckle continuous hinge - 32 mm width



Opening angle 270°. Other lengths and pin materials are available on request. Specific drilling requirements are also available on request.



Part number	Material	Finish	A	B	C	D	E	Pin material	Note	Weight (g)
40-1-4771	steel	raw	1950	32	1.5	3	12.5	steel	undrilled	1030
42-1-4346	304 stainless steel	raw	1800	32	1.2	3	30	stainless steel	undrilled	790
42-1-4460	304 stainless steel	raw	1950	32	1.5	3	12.5	stainless steel	undrilled	1030





## Continuous hinges

### Rolled knuckle continuous hinge - 35 mm width

Opening angle 270°. Other lengths and pin materials are available on request. Specific drilling requirements are also available on request.



Part number	Material	Finish	A	B	C	D	E	F	G	S	Pin material	Note	Weight (g)
40-1-3324	steel	raw	2040	35	1	2	15	19.5	60	4.5	steel	drilled	680
40-1-3332	steel	raw	2040	35	1	2	15				steel	undrilled	700
41-1-3532	5754 alu	raw	2000	35	1	3	30				aluminium	undrilled	232

### Rolled knuckle continuous hinge - 40 mm width

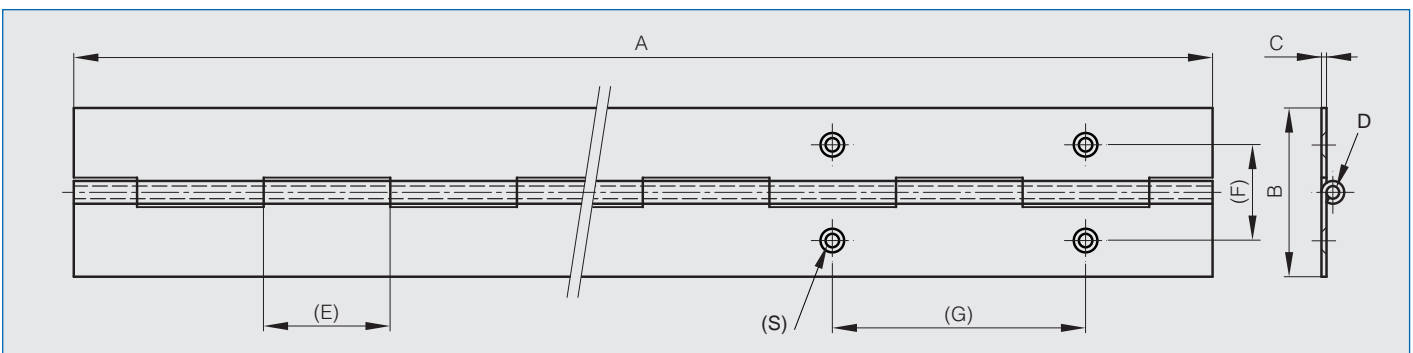


Opening angle 270°. Other lengths and pin materials are available on request. Specific drilling requirements are also available on request.

Hinge in raw galvanised steel is made of pregalvanised steel. Therefore any cut surface is ungalvanised.



Part number	Material	Finish	A	B	C	D	E	F	G	S	Pin material	Note	Weight (g)
40-1-3703	steel	raw	2040	40	0.8	2	15				steel	undrilled	650
40-1-3681	steel	raw	2040	40	1.2	3	30				steel	undrilled	1000
40-1-3682	steel	raw	2040	40	1.2	3	30	22.7	60	4	steel	drilled	1000
40-1-4772	steel	raw	1950	40	1.5	3	12.5				steel	undrilled	1230
40-1-3683	steel	raw	2040	40	1.5	4	15				steel	undrilled	1400
40-1-4691	galvanised steel	raw	1800	40	1.2	3	30				brass	undrilled	1520
41-1-3520	5754 alu	raw	2000	40	1.2	3	20				aluminium	undrilled	356
41-1-3521	5754 alu	raw	2040	40	1.5	4	15				aluminium	undrilled	500
42-1-4347	304 stainless steel	raw	1800	40	1.2	3	30				stainless steel	undrilled	940
42-1-4349	304 stainless steel	raw	2040	40	1.2	3	30	22.7	60	4.2	stainless steel	drilled	1000
42-1-4350	304 stainless steel	raw	2040	40	1.2	3	30				stainless steel	undrilled	1000
42-1-4461	304 stainless steel	raw	1950	40	1.5	3	12.5				stainless steel	undrilled	1230
42-1-3301	304 stainless steel	raw	2040	40	1.5	4	15				stainless steel	undrilled	1400
42-1-4199	304 stainless steel	raw	2040	40	1.5	4	15	22.7	60	4	stainless steel	drilled	1400
42-1-3770	304 stainless steel	raw	2040	44	2	6	30				stainless steel	undrilled	2463
42-1-4001	316L stainless steel	raw	2040	40	1.5	4	15				stainless steel	undrilled	1400
42-1-3665	430 stainless steel	raw	2040	40	0.8	2	15				stainless steel	undrilled	650
43-1-3525	brass	raw	2040	40	1.2	3	30				stainless steel	undrilled	1080
43-1-3526	brass	polished	2040	40	1.2	3	30	22.7	60	4.2	stainless steel	drilled	1090





## Continuous hinges

### Rolled knuckle continuous hinge - 50 mm width

**NEW!**

Opening angle 270°. Other lengths and pin materials are available on request. Specific drilling requirements are also available on request.

Hinge in raw galvanised steel is made of pregalvanised steel. Therefore any cut surface is ungalvanised.



Part number	Material	Finish	A	B	C	D	E	F	G	S	Pin material	Note	Weight (g)
40-1-3704	steel	raw	2040	50	1.2	3	30				steel	undrilled	1300
40-1-3758	steel	raw	2040	50	1.2	3	30	28	60	4	steel	drilled	1270
40-1-4773	steel	raw	1950	50	1.5	3	12.5				steel	undrilled	1450
40-1-4355	steel	raw	2040	50	2	6	30				steel	undrilled	2486
40-1-4679	galvanised steel	raw	1800	50	1.2	3	30				brass	undrilled	1800
41-1-3531	5754 alu	raw	2000	50	1.2	3	20				aluminium	undrilled	459
41-1-3522	5754 alu	raw	2000	50	1.5	4	15				aluminium	undrilled	612
42-1-4348	304 stainless steel	raw	1800	50	1.2	3	30				stainless steel	undrilled	1100
42-1-4352	304 stainless steel	raw	2040	50	1.2	3	30	28	60	4	stainless steel	drilled	1270
42-1-4353	304 stainless steel	raw	2040	50	1.2	3	30				stainless steel	undrilled	1300
42-1-4462	304 stainless steel	raw	1950	50	1.5	3	12.5				stainless steel	undrilled	1450
42-1-4219	304 stainless steel	raw	1800	50	1.5	4	15				stainless steel	undrilled	1500
42-1-3918	304 stainless steel	raw	2000	50	2	4	25				stainless steel	undrilled	2350
42-1-4354	316L stainless steel	raw	2040	50	1.2	3	30				stainless steel	undrilled	1310
43-1-3556	brass	raw	2040	50	1.2	3	30				stainless steel	undrilled	1424

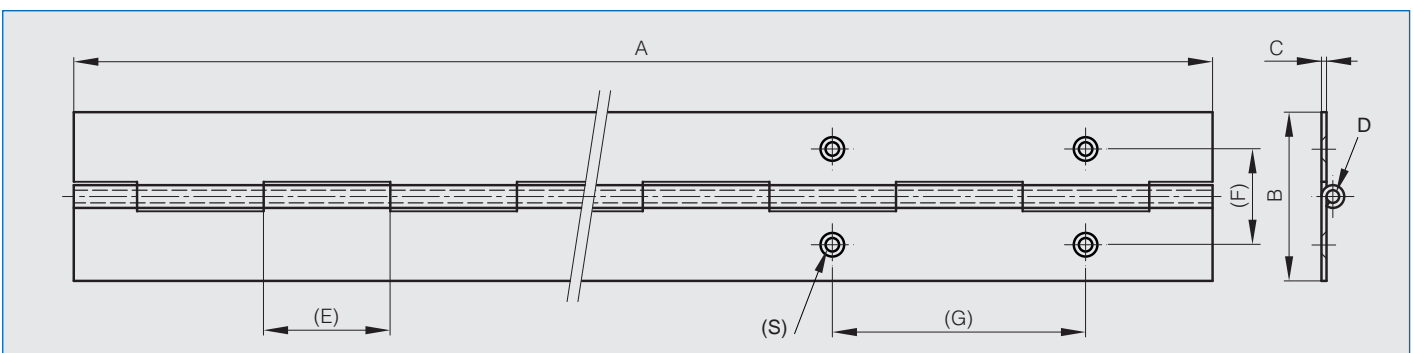
### Rolled knuckle continuous hinge - 57 mm width

Opening angle 270°. Other lengths and pin materials are available on request. Specific drilling requirements are also available on request.

Hinge in raw galvanised steel is made of pregalvanised steel. Therefore any cut surface is ungalvanised.



Part number	Material	Finish	A	B	C	D	E	Pin material	Note	Weight (g)
40-1-4680	galvanised steel	raw	2160	57	1.5	4	15	brass	undrilled	2000
40-1-4682	galvanised steel	raw	2160	57	2	6	30	brass	undrilled	2970
42-1-4220	304 stainless steel	raw	2160	57	1.5	4	15	stainless steel	undrilled	2000





## Continuous hinges

### Rolled knuckle continuous hinge - 60 mm width

Opening angle 270°. Other lengths and pin materials are available on request. Specific drilling requirements are also available on request.



Part number	Material	Finish	A	B	C	D	E	F	G	S	Pin material	Note	Weight (g)
40-1-3541	steel	raw	2000	60	1.5	5	40				steel	undrilled	1980
40-1-3335	steel	raw	2000	60	1.5	8	40				steel	undrilled	2600
40-1-4371	steel	raw	2040	60	2	6	30				steel	undrilled	2800
41-1-3523	5754 alu	raw	2000	60	2	6	30				aluminium	undrilled	998
42-1-3302	304 stainless steel	raw	2040	60	2	6	30				stainless steel	undrilled	2800
42-1-4201	304 stainless steel	raw	2040	60	2	6	30	35	60	4	stainless steel	drilled	2800
42-1-4002	316L stainless steel	raw	2040	60	2	6	30				stainless steel	undrilled	2800

### Rolled knuckle continuous hinge - 63 mm width

Opening angle 270°. Other lengths and pin materials are available on request. Specific drilling requirements are also available on request.



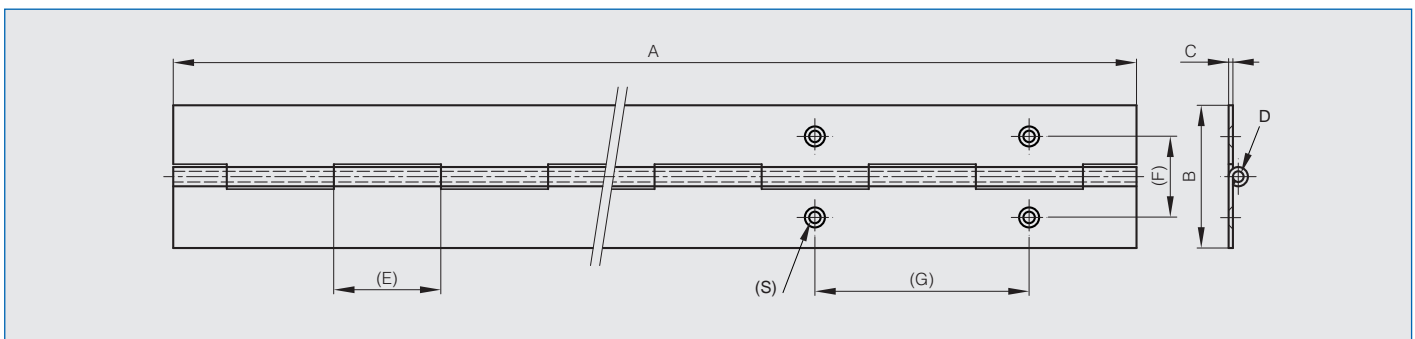
Part number	Material	Finish	A	B	C	D	E	Pin material	Note	Weight (g)
42-1-4221	304 stainless steel	raw	1800	63	1.5	4	15	stainless steel	undrilled	1800

### Rolled knuckle continuous hinge - 70 mm width

Opening angle 270°. Other lengths and pin materials are available on request. Specific drilling requirements are also available on request.



Part number	Material	Finish	A	B	C	D	E	Pin material	Note	Weight (g)
40-1-4372	steel	raw	2040	70	2	6	30	steel	undrilled	3114
42-1-4097	304 stainless steel	raw	1800	70	1.5	4	15	stainless steel	undrilled	1900
42-1-3859	304 stainless steel	raw	2040	70	2	6	30	stainless steel	undrilled	3120





## Continuous hinges

### Rolled knuckle continuous hinge - 76 mm width

Opening angle 270°. Other lengths and pin materials are available on request. Specific drilling requirements are also available on request.

Hinge in raw galvanised steel is made of pregalvanised steel. Therefore any cut surface is ungalvanised.

Part number	Material	Finish	A	B	C	D	E	Pin material	Note	Weight (g)
40-1-4681	galvanised steel	raw	2160	76	1.5	4	15	brass	undrilled	2400
42-1-4094	304 stainless steel	raw	2160	76	1.5	4	15	stainless steel	undrilled	2400

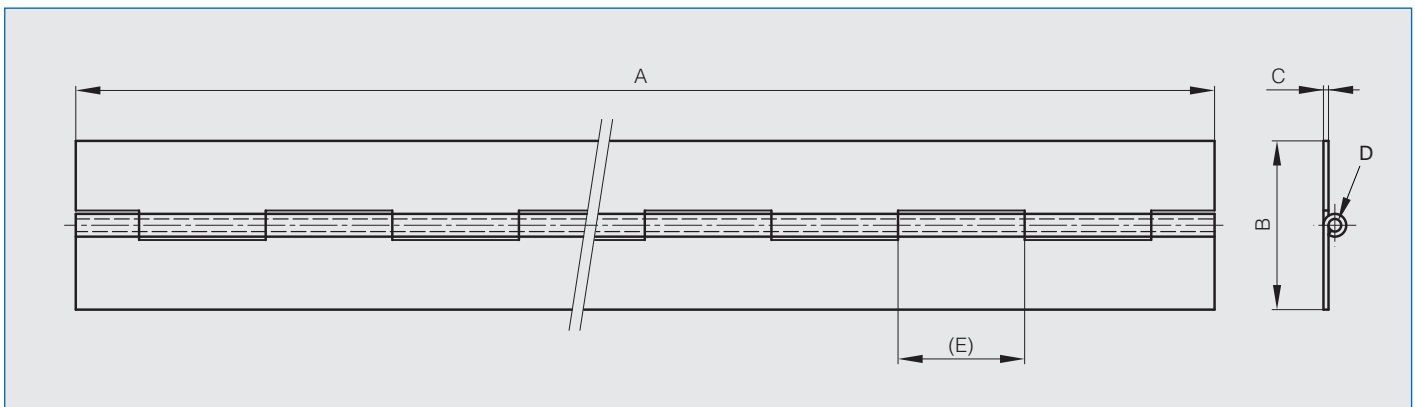


### Rolled knuckle continuous hinge - 80 mm width



Opening angle 270°. Other lengths and pin materials are available on request. Specific drilling requirements are also available on request.

Part number	Material	Finish	A	B	C	D	E	Pin material	Note	Weight (g)
40-1-4774	steel	raw	1950	80	1.5	3	12.5	steel	undrilled	2170
40-1-3542	steel	raw	2000	80	2	7.6	40	steel	undrilled	3900
40-1-4369	steel	raw	2000	80	3	6	40	steel	undrilled	5060
41-1-3558	5754 alu	raw	2000	80	3	6	40	aluminium	undrilled	1780
42-1-4463	304 stainless steel	raw	1950	80	1.5	3	12.5	stainless steel	undrilled	2170
42-1-3304	304 stainless steel	raw	1000	80	3	6	40	stainless steel	undrilled	2530
42-1-3569	304 stainless steel	raw	2000	80	3	6	40	stainless steel	undrilled	5060







## Continuous hinges

### Rolled knuckle continuous hinge - 100 mm width

**NEW!**

Opening angle 270°. Other lengths and pin materials are available on request. Specific drilling requirements are also available on request.

Part number	Material	Finish	A	B	C	D	E	Pin material	Note	Weight (g)
40-1-3543	steel	raw	2000	100	3	10	40	steel	undrilled	7100
40-1-4769	steel	raw	1000	100	4	10	40	steel	undrilled	4690
42-1-4458	304 stainless steel	raw	2000	100	3	6	40	stainless steel	undrilled	6030
42-1-4459	304 stainless steel	raw	2000	100	3	10	40	stainless steel	undrilled	7300



### Rolled knuckle continuous hinge - 120 mm width

**NEW!**

Opening angle 270°. Other lengths and pin materials are available on request. Specific drilling requirements are also available on request.

Part number	Material	Finish	A	B	C	D	E	Pin material	Note	Weight (g)
40-1-4770	steel	raw	1000	120	5	10	40	steel	undrilled	6550
42-1-4095	304 stainless steel	raw	2100	120	2	6	30	stainless steel	undrilled	5000

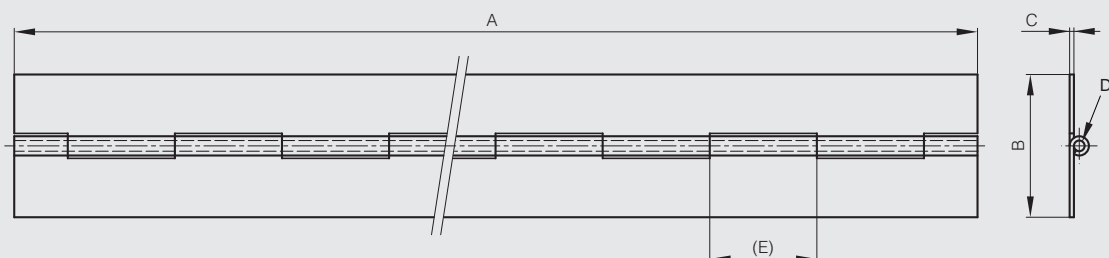


### Rolled knuckle continuous hinge - 127 mm width

Opening angle 270°. Other lengths and pin materials are available on request. Specific drilling requirements are also available on request.

Hinge in raw galvanised steel is made of pregalvanised steel. Therefore any cut surface is ungalvanised.

Part number	Material	Finish	A	B	C	D	E	Pin material	Note	Weight (g)
40-1-4685	galvanised steel	raw	2160	127	3	6	40	brass	undrilled	8000





## Continuous hinges

### FinAlu® Continuous hinge

**NEW!**

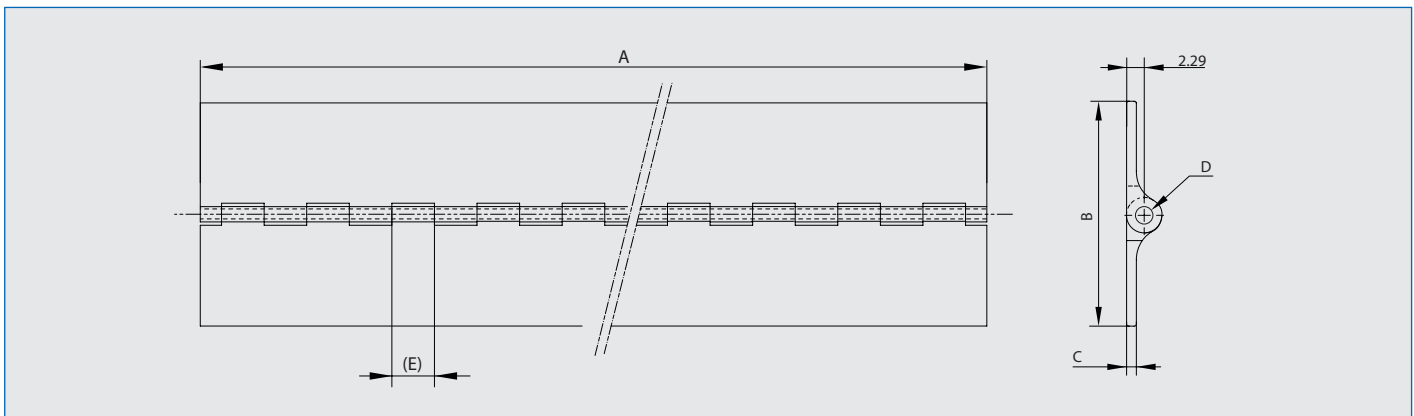
Continuous hinges in aluminium profile with a small pin diameter.

This nice design can be used in many applications (medical, electronic enclosures, food equipment, transportation...).

These hinges have the same dimensions as hinges used in the aircraft industry.



Part number	Material	Finish	A	B	C	D	E	Pin material	Note	Weight (g)
72-1-4243	alu 6082 T5	anodised	915	31.75	1.3	2.2	12.7	stainless steel	undrilled	150
72-1-4244	alu 6082 T5	raw	1830	31.75	1.3	2.2	12.7	stainless steel	undrilled	300
72-1-4245	alu 6082 T5	anodised	915	44.45	1.3	2.2	12.7	stainless steel	undrilled	190
72-1-4246	alu 6082 T5	raw	1830	44.45	1.3	2.2	12.7	stainless steel	undrilled	380
72-1-4247	alu 6082 T5	anodised	915	63.5	1.3	2.2	12.7	stainless steel	undrilled	250
72-1-4248	alu 6082 T5	raw	1830	63.5	1.3	2.2	12.7	stainless steel	undrilled	500

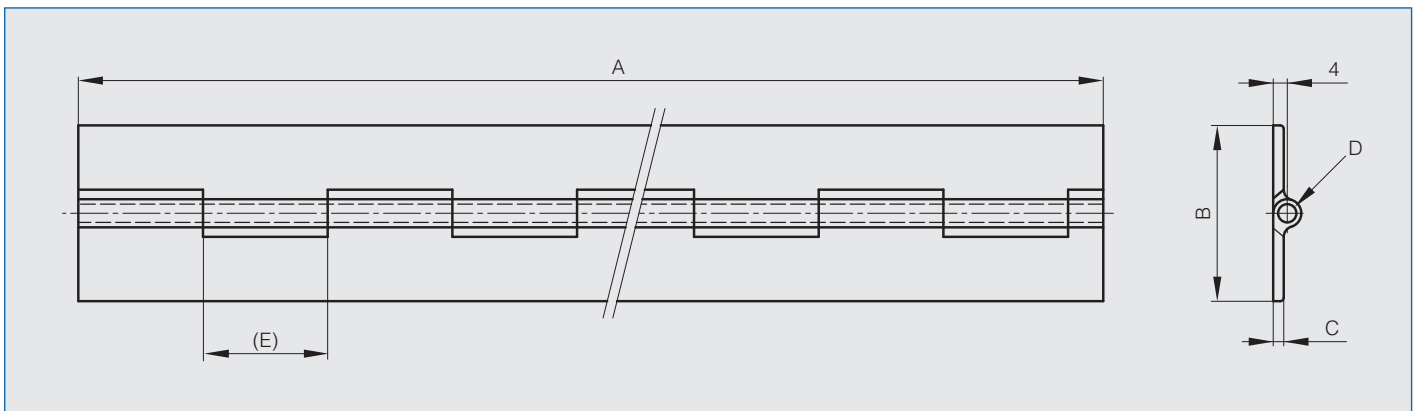


### Aluminium profile continuous hinge - 50 mm

Opening angle 270°. Other lengths are available on request. Specific drilling requirements are also available on request.



Part number	Material	Finish	A	B	C	D	E	Pin material	Note	Weight (g)
72-1-3316	alu 6060 T5	raw	2000	50	3	5.2	35.5	304 stainless steel	undrilled	1200





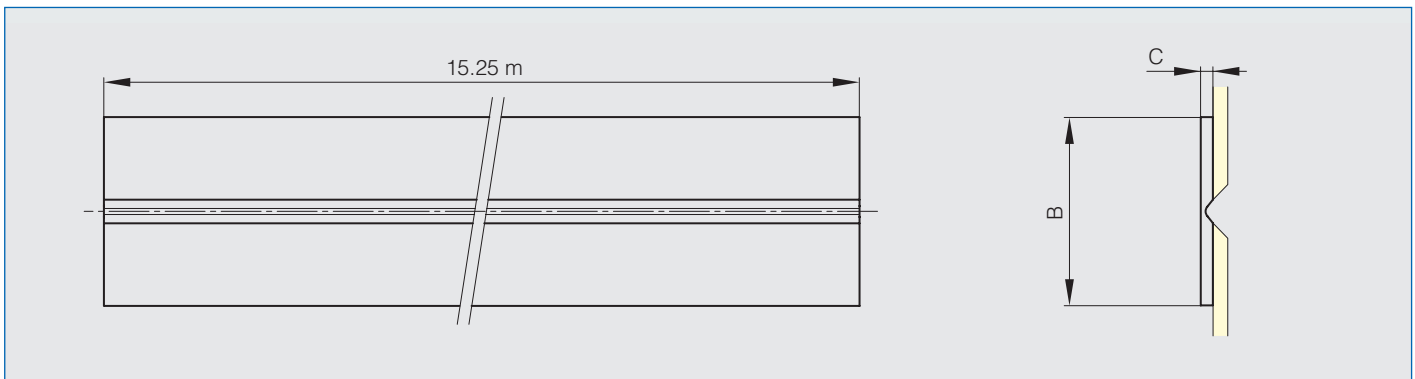


### Continuous plastic hinge in 15,25 meter rolls

Technical features :

- Temperatures: -40°C up to +80°C
- Can be fixed with: rivets, screws, nails or clamps
- Chemical resistance : oil, solvents, sea water and most chemical agents
- Tensile resistance : 180N/cm
- Material offers excellent fatigue resistance.

Part number	Material	Finish	B	C	Weight (g)
44-7-3000	polypropylene	white	28.6	3.2	1050
44-7-3001	polypropylene	grey	28.6	3.2	1050
44-7-3002	polypropylene	black	28.6	3.2	1050
44-7-3003	polypropylene	white	38.1	3.2	1450
44-7-3004	polypropylene	grey	38.1	3.2	1450
44-7-3005	polypropylene	black	38.1	3.2	1450
44-7-3006	polypropylene	white	50.8	3.2	2300
44-7-3007	polypropylene	grey	50.8	3.2	2300
44-7-3008	polypropylene	black	50.8	3.2	2300
44-7-3009	polypropylene	white	76.2	3.2	2900
44-7-3010	polypropylene	grey	76.2	3.2	2900
44-7-3011	polypropylene	black	76.2	3.2	2900





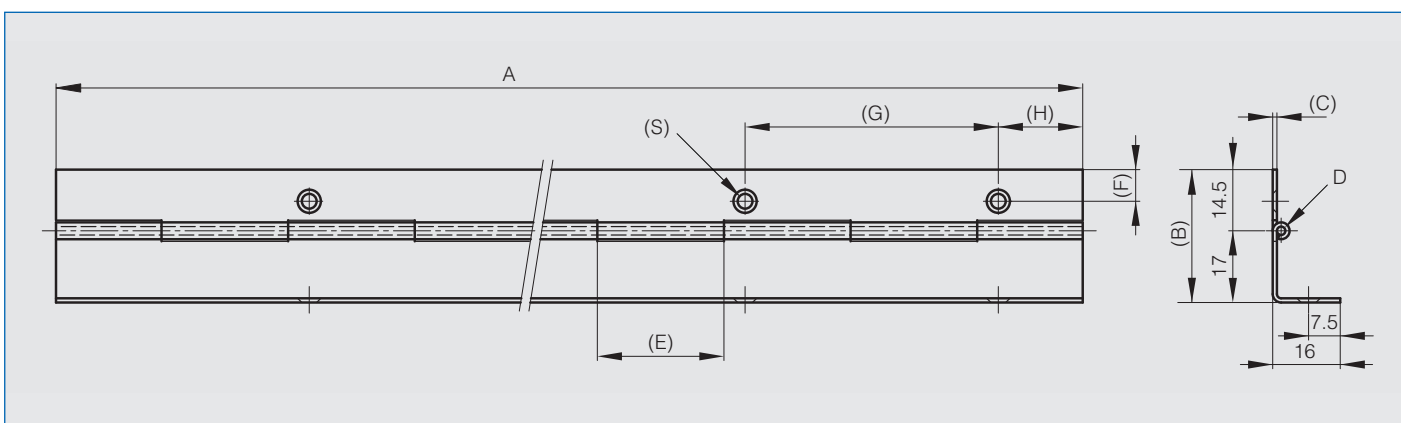
## Continuous hinges

### Drilled continuous hinge with one cranked leaf

Opening angle 270°. Other lengths and pin materials are available on request. Specific drilling requirements are also available on request.



Part number	Material	Finish	A	B	C	D	E	F	G	H	S	Pin material	Note	Weight (g)
39-1-3302	steel	zinc plated	1000	31.5	1	2	30	7.5	60	20	3.5	304 stainless steel	drilled	430
39-1-3631	steel	zinc plated	2000	31.5	1	2	30	7.5	60	20	3.5	304 stainless steel	drilled	860
39-1-3630	304 stainless steel	raw	1995	31.5	1	2	30	7.5	60	20	3.5	304 stainless steel	drilled	860

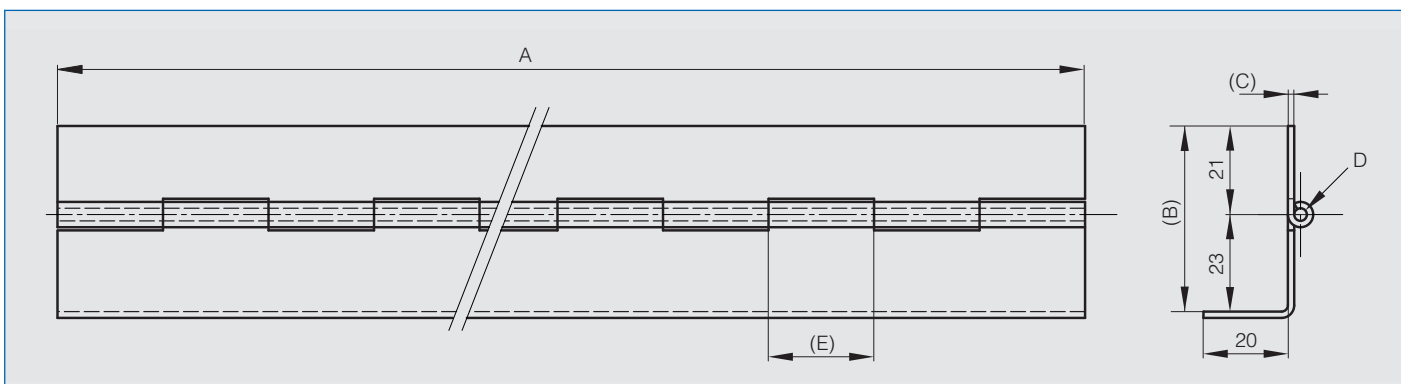


### Undrilled continuous hinge with one cranked leaf

Opening angle 270°. Other lengths and pin materials are available on request. Specific drilling requirements are also available on request.



Part number	Material	Finish	A	B	C	D	E	Pin material	Note	Weight (g)
39-1-3632	steel	zinc plated	1995	44	1.5	3	25	304 stainless steel	undrilled	1756
39-1-3300	430 stainless steel	raw	1600	44	1.5	3	25	304 stainless steel	undrilled	1430
39-1-3633	304 stainless steel	raw	1995	44	1.5	3	25	304 stainless steel	undrilled	1787





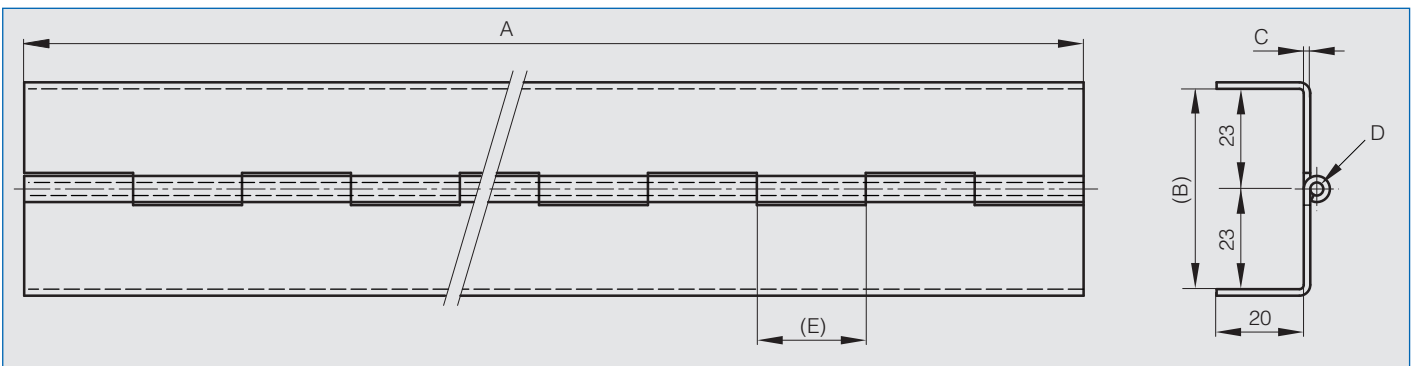
## Continuous hinges

### Continuous hinge with two cranked leaves

Opening angle 270°. Other lengths and pin materials are available on request. Specific drilling requirements are also available on request.

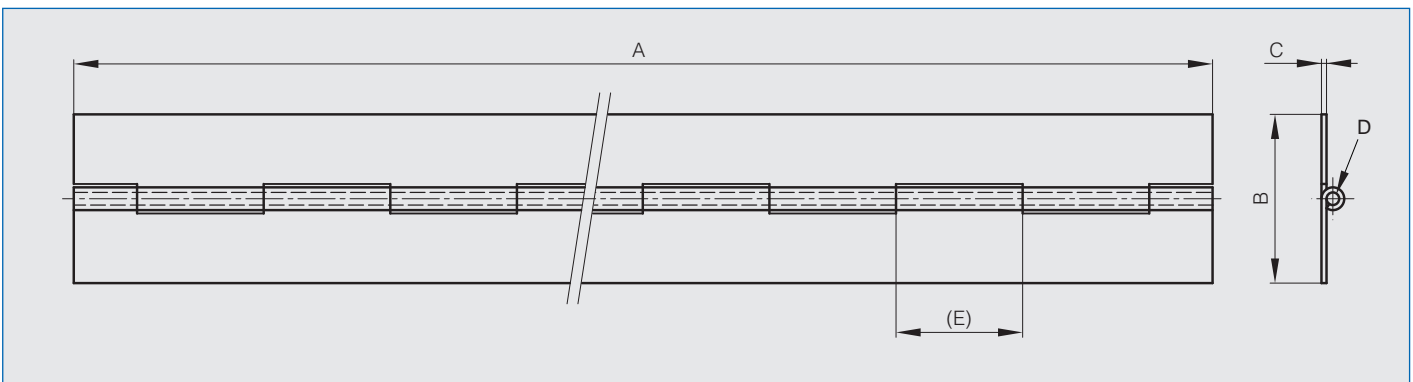


Part number	Material	Finish	A	B	C	D	E	Pin material	Note	Weight (g)
39-1-3634	steel	zinc plated	1995	46	1.5	3	25	304 stainless steel	undrilled	1910
39-1-3635	304 stainless steel	raw	2000	46	1.5	3	25	304 stainless steel	undrilled	1944



### Rolled knuckle continuous hinge «imperial» dimension

Part number	Material	Finish	A	B	C	D	E	Pin material	Note	Weight (g)
42-1-4096	304 stainless steel	raw	6'	1"	0.04"	0.08"	5/8"	stainless steel	undrilled	500
42-1-4089	304 stainless steel	raw	6'	1" 1/4	0.04"	0.08"	5/8"	stainless steel	undrilled	500
42-1-4346	304 stainless steel	raw	6'	1" 1/4	3/64"	1/8"	3/4"	stainless steel	undrilled	790
42-1-4347	304 stainless steel	raw	6'	1" 1/2	3/64"	1/8"	3/4"	stainless steel	undrilled	940
42-14348	304 stainless steel	raw	6'	2"	3/64"	1/8"	3/4"	stainless steel	undrilled	1100
42-1-4219	304 stainless steel	raw	6'	2"	1/16"	5/32"	5/8"	stainless steel	undrilled	1500
42-1-4220	304 stainless steel	raw	7'	2" 1/4	1/16"	5/32"	5/8"	stainless steel	undrilled	2000
42-1-4221	304 stainless steel	raw	6'	2" 1/2	1/16"	5/32"	5/8"	stainless steel	undrilled	1800
42-1-4097	304 stainless steel	raw	6'	2" 3/4	1/16"	5/32"	5/8"	stainless steel	undrilled	1900
42-1-4094	304 stainless steel	raw	7'	3"	1/16"	5/32"	5/8"	stainless steel	undrilled	2400
42-1-4095	304 stainless steel	raw	7'	5"	0.08"	1/4"	1" 1/4	stainless steel	undrilled	5000





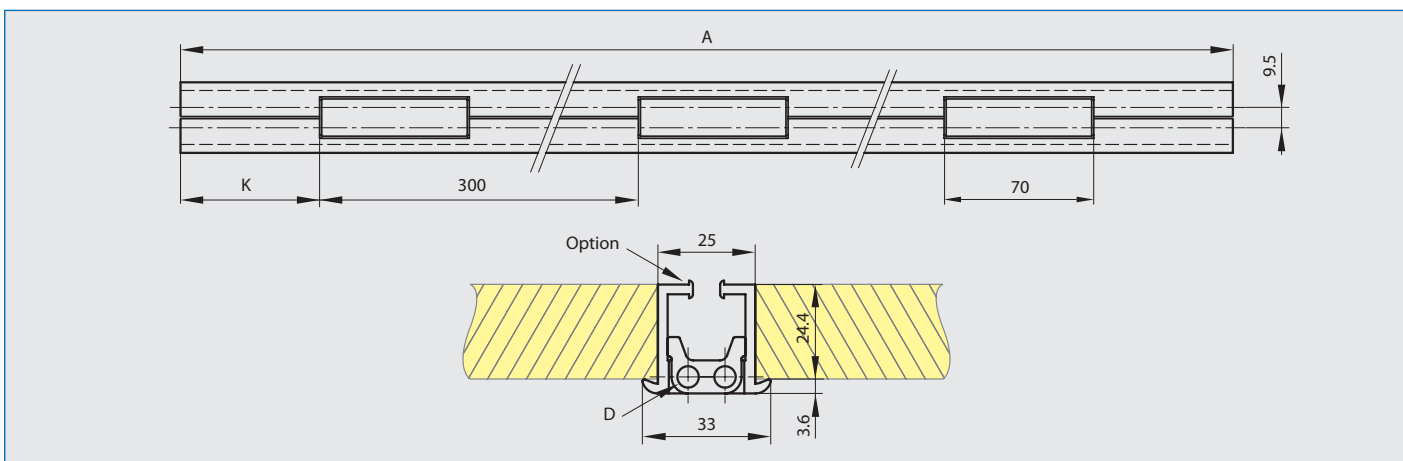
## Continuous hinges

### Double knuckle continuous hinge

Hinge in aluminium profile for 180° opening angle.  
 Delivered without watertight gasket (to be ordered separately).  
 With fixed friction washers.  
 Non-drilled hinges.



Part number	Material	Finish	A	D	K	Pin material	Weight (g)
73-1-3520	alu 6060 T5	clear anodised	2000	5	65	304 stainless steel	2500
73-1-3521	alu 6060 T5	clear anodised	2500	5	15	304 stainless steel	3140
73-1-3522	alu 6060 T5	clear anodised	3000	5	115	304 stainless steel	3780



### Seal gasket for double knuckle continuous hinge

Gasket made of soft rubber with a steel clip-on core and foam rubber.

Part number	Material	A
27-1-3816	reinforced rubber profile	2000
27-1-3817	reinforced rubber profile	2500
27-1-3818	reinforced rubber profile	3000

