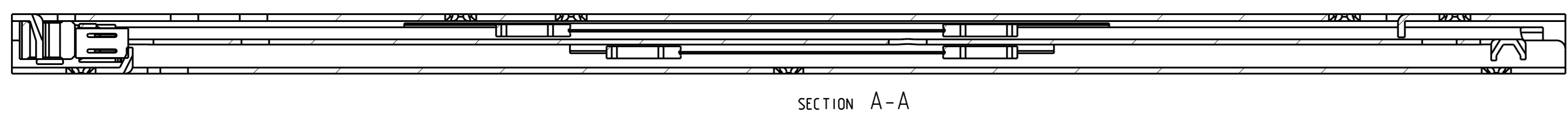


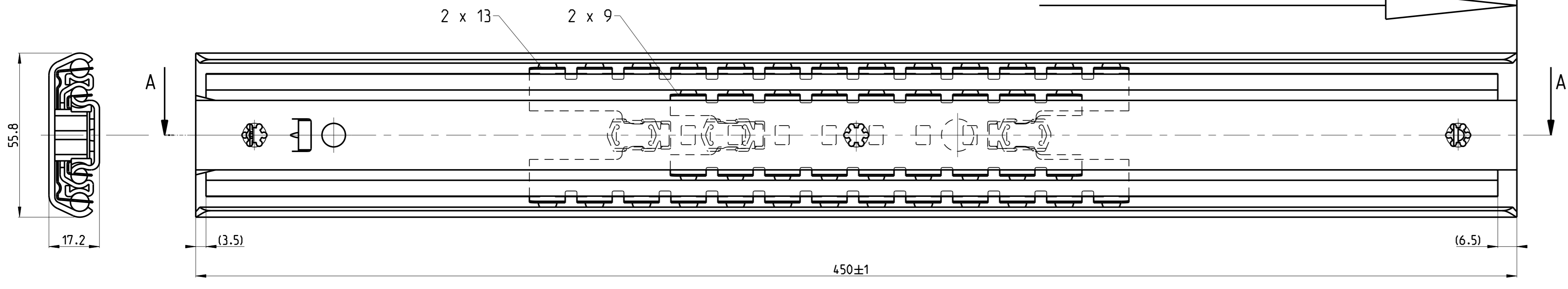
1 2 3 4 5 6 7 8 9 10 11 12 13 14 15 16 17 18 19 20

T 1-2 = 220.5
T 2-3 = 274.5

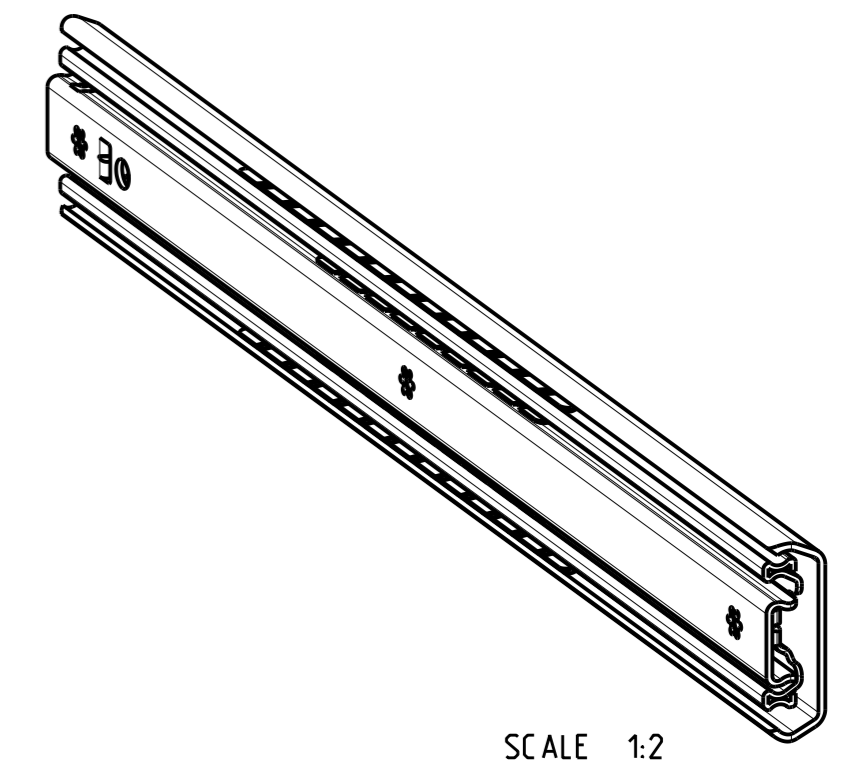


SECTION A-A

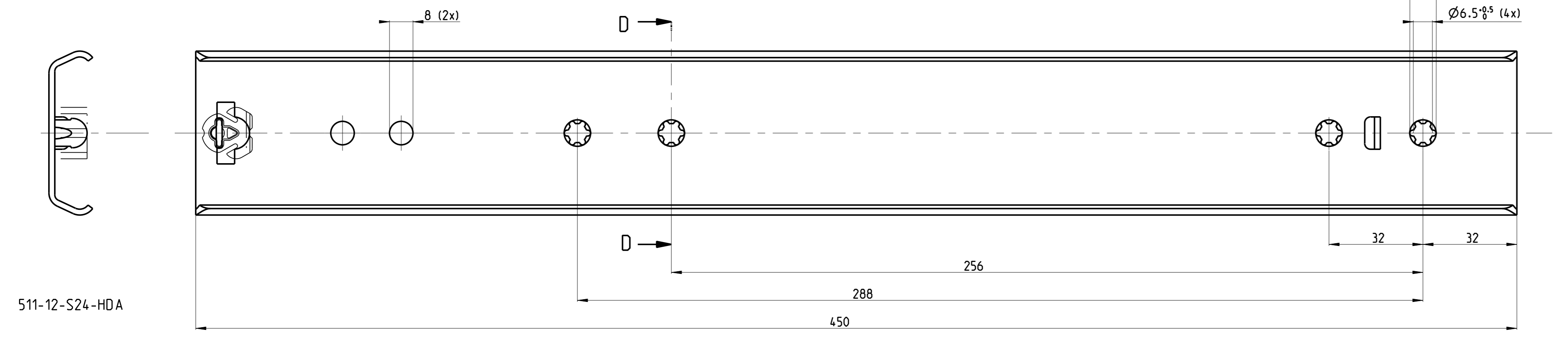
EXTENSION 495^{±4} mm



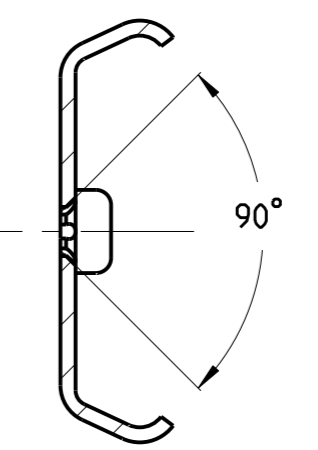
FRONT



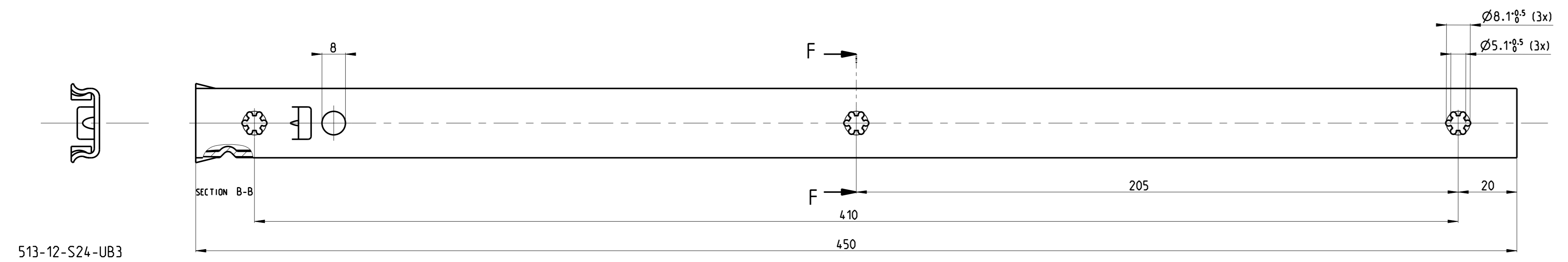
SCALE 1:2



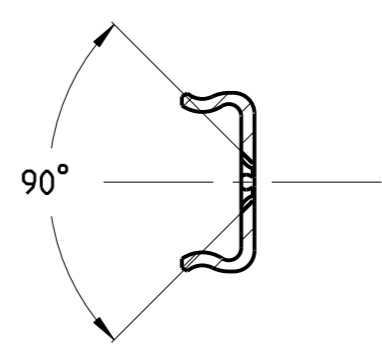
511-12-S24-HDA



SECTION D-D



513-12-S24-UB3



SECTION F-F

PRO/ENGINEER Drawing	Dimensions between marks are guide dimensions. Tolerances unless otherwise stated ±0.5mm.		Thomas Regout Int. B.V. reserves the right to alter non-customer specific specifications without notice.
Was: - 112-F58-00			
American projection	DIMENSION	mm	MAT.: -
	SCALE	1:1	REM.: Right hand slide = left hand slide.
	DATE	24-05-2006	-
	DESIGNER	M. Mahieu	-
	CHECKED	-	Type D
ULF HD 450,0 / 495,0 (17,2mm)			
THOMAS REGOUT INTERNATIONAL BV		Drw. Nr.	Format.
		112-S24 _ 00	A1
© Thomas Regout International BV All rights are reserved.		Production	

04	-	-	-	-	05	-	-	-	-	06	-	-	-	-
01	-	-	-	-	02	-	-	-	-	03	-	-	-	-