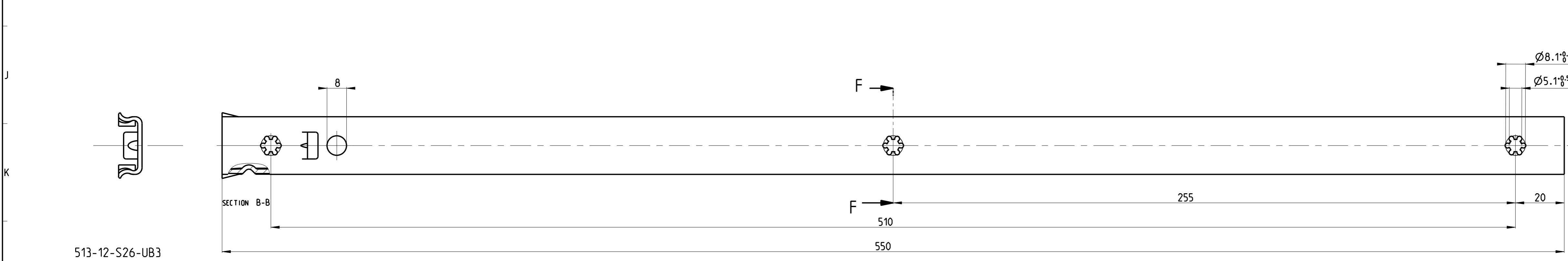
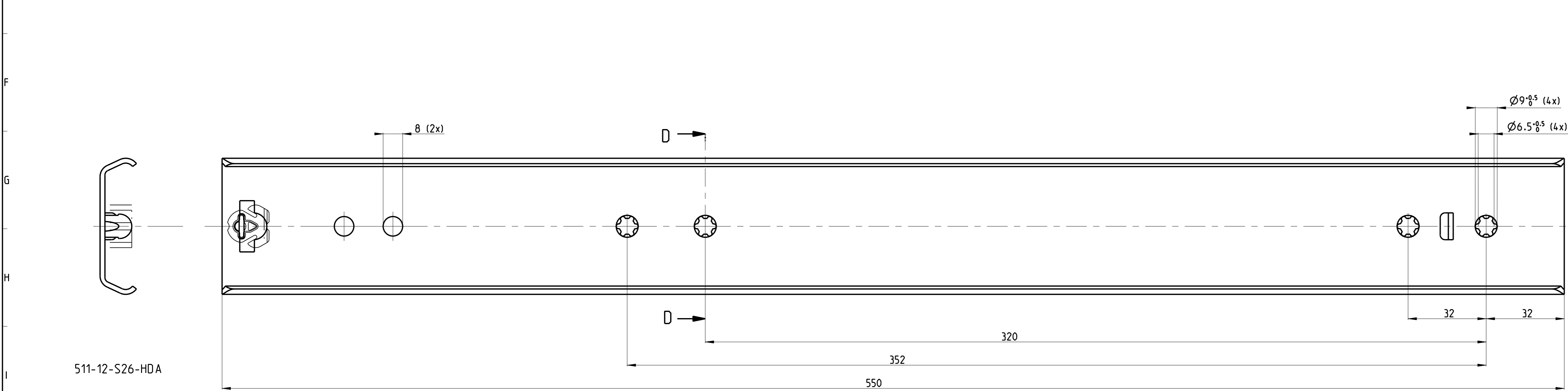
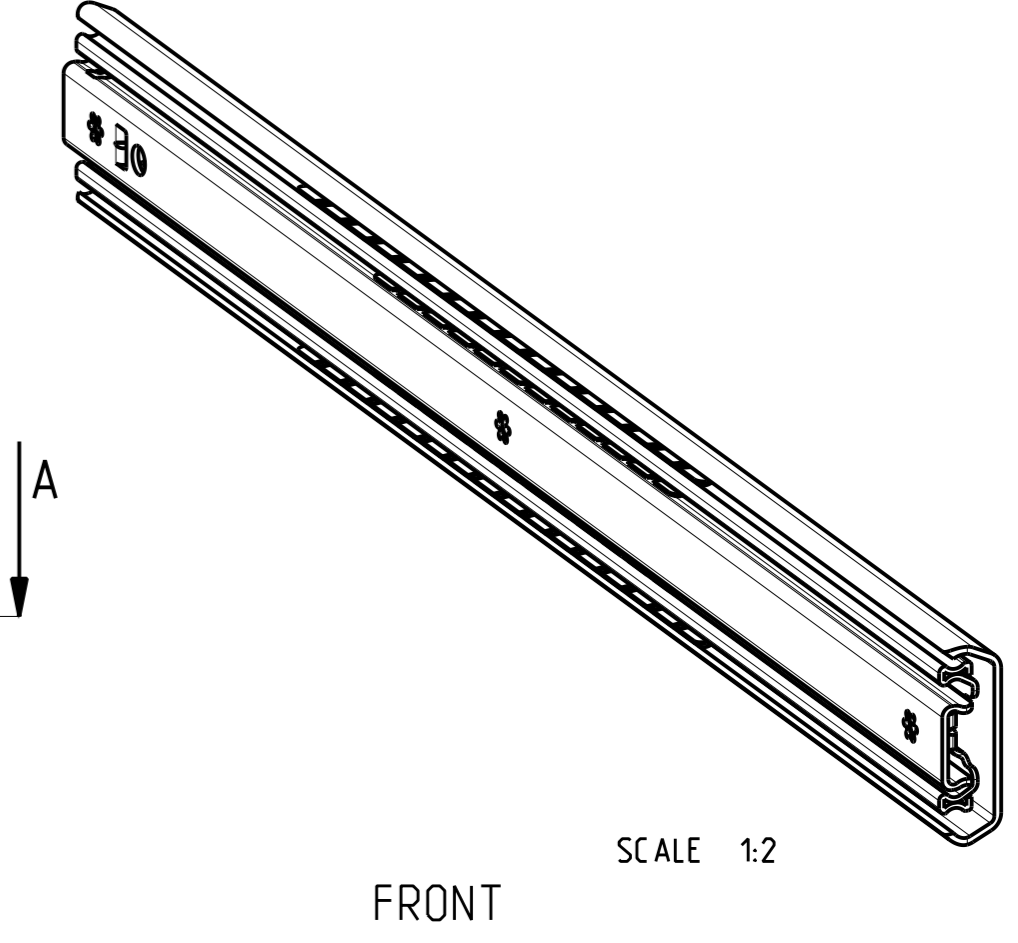
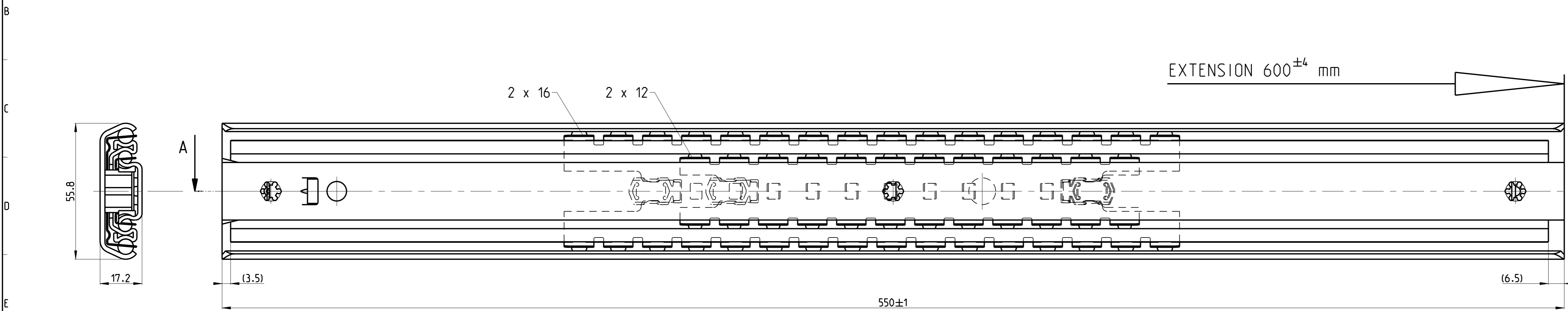
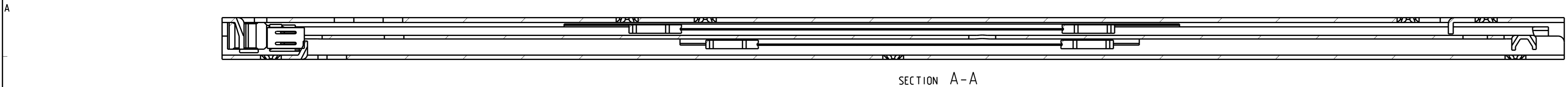


T 1-2 = 273.5
T 2-3 = 326.5



PRO/ENGINEER Drawing		Dimensions between marks are guide dimensions.		Thomas Regout Int. B.V. reserves the	
Was: - 112-F60-00		Tolerances unless otherwise stated ±0.5mm.		right to alter non-customer specific specifications without notice.	
American projection	DIMENSION	mm	MAT.: -	REM.: Right hand slide = left hand slide.	
	SCALE	1:1	-		
	DATE	15-08-2011	-		
	DESIGNER	M. Mahieu	-		
CHECKED	-	-	Type D		
ULF HD 550,0 / 600,0 (17,2mm)					
THOMAS REGOUT INTERNATIONAL BV				Drw. Nr.	Format.
© Thomas Regout International BV All rights are reserved.				112-S26 _ 00	A1
				Production	

04	-	-	-	-	05	-	-	-	-	06	-	-	-	-
01	-	-	-	-	02	-	-	-	-	03	-	-	-	-