

# 7-080 Quarter-Turn Pr20.1 L18

for cutout 20.1, length 18, stainless steel AISI 316

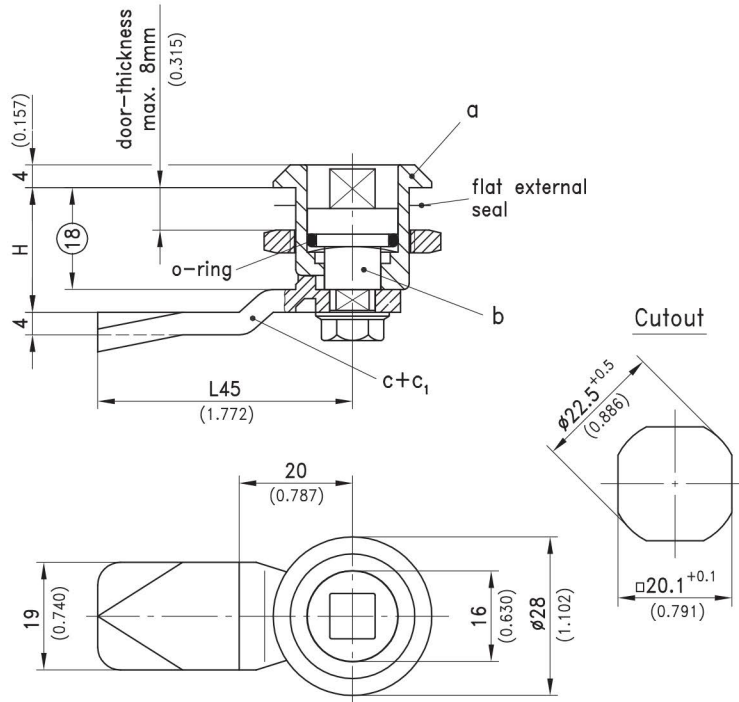


Quarter-Turn, RH or LH application.

- Water- and dust-tight according to IP65 DIN EN 60529.
- For IP67 use additional O-Ring 10x2mm.
- This Quarter-Turn consists of three basic parts which can be combined to suit your application.
- On request parts can be assembled by DIRAK.
- A pre-assembled Quarter-Turn can be installed in the cutout.

## Material:

- **Housing:** stainless steel AISI 316L or PA, black
- **Insert:** stainless steel AISI 316L or PA
- **Cam:** stainless steel AISI 304
- **Grounding nut:** stainless steel AISI 316L
- **Grounding clip:** stainless steel AISI 316



see page

**a) Housing with single sided grounding nut (stainless steel) and flat external seal** **200-9043**

PA with nut (stainless steel) **200-9044**  
 PA with grounding clip **200-9064**

**b) Insert with screw, wave washer and O-ring**

Square 6mm **200-9146**

Square 7mm **200-9119**

Square 8mm **200-9120**

Triangular 7mm **200-9121**

Triangular 8mm **200-9122**

Double bit 3mm **200-9123**

Double bit 5mm **200-9124**

Slotted 2x4mm deep **200-9151**

Star knob with stainless steel core/insert with PA knob **200-9125**

Wing knob with stainless steel core/insert with PA knob **200-9179**

7/16" hex. **200-9192**

Socket hex. 8 mm (5/16") **200-9195**

Socket hex. 8 mm (5/16"), with pin **100-9118**

IP67 through additional **09.10**

O-ring 10x2mm **200-1002**

Key for insert **02.104**

Dust cap and finger pull **02.104**

**c) Cams**

L45mm/1.772

H in mm/inch

6 / 0.236 **200-0506**

8 / 0.315 **200-0508**

10 / 0.394 **200-0510**

14 / 0.551 **200-0514**

16 / 0.630 **200-0516**

18 / 0.709 **200-0518**

20 / 0.787 **200-0520**

22 / 0.866 **200-0522**

24 / 0.945 **200-0524**

26 / 1.024 **200-0526**

28 / 1.102 **200-0528**

32 / 1.260 **200-0532**

50 / 1.969 **200-0550**

**c1) Cams**

L35mm/1.378

H in mm/inch

20 / 0.787 **200-4535.00-00020**

22 / 0.866 **200-4535.00-00022**

**d) Assembling of cam, with O-ring**

**200-0002**

