

E6 Hinge

Position control · Adjustable torque

- Hold doors open, in position
- User-adjusted holding torque

Material and Finish

Leaves: Acetal

Pin: Polycarbonate

Adjustment screw & nut:

Stainless steel

Performance Details

Radial load:

Large: 3110 N (700 lbf)

Medium: 1780 N (400 lbf)

Axial load:

Large: 2000 N (450 lbf)

Medium: 890 N (200 lbf)

Maximum prevailing torque of hinge:

Large: 4 N·m (35 in·lbf)

Medium: 0.8 N·m (7 in·lbf)

Operating temperature range:

-5°C (20°F) to 65°C (150°F)

Installation Notes

Mount with:

Large: M6 (1/4-20)

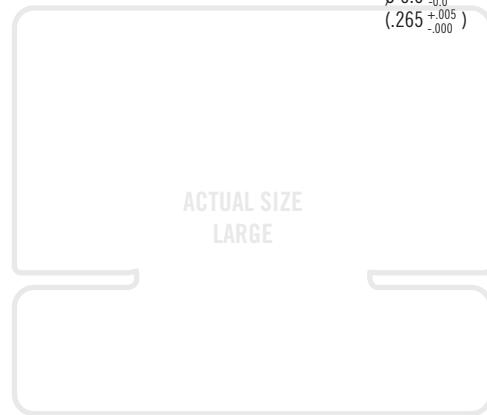
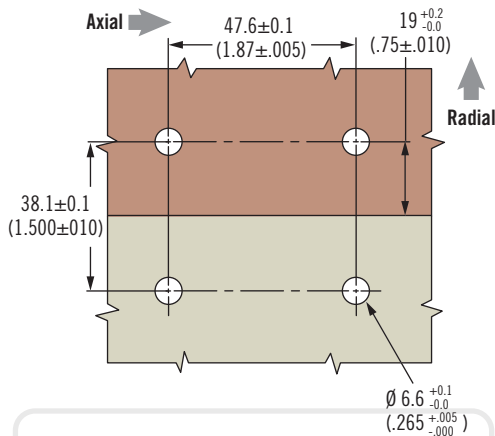
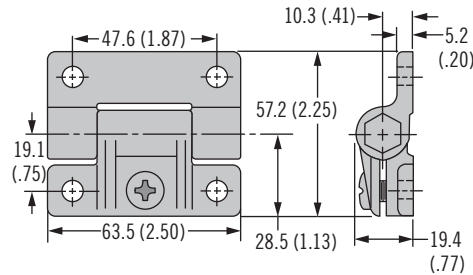
Medium: M4 (8-32)

(screws not supplied)

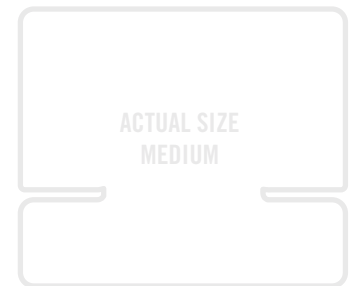
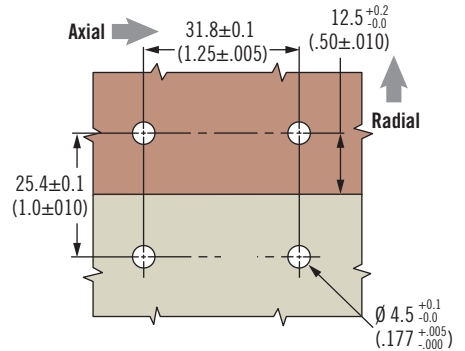
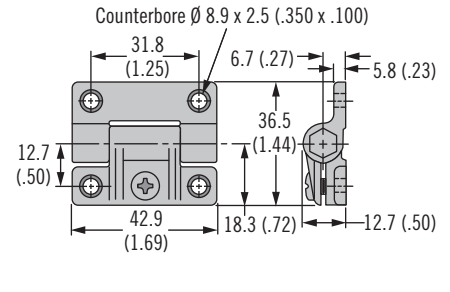
Part Number

See table

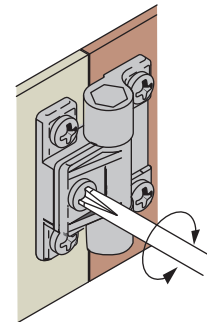
Large



Medium



Torque Adjustment



Part Number		
Color	Large	Medium
Black	E6-10-501-20	E6-10-301-20
White	E6-10-501-10	E6-10-301-10

Other options available. For complete details on variety, part numbers, installation and specification, go to



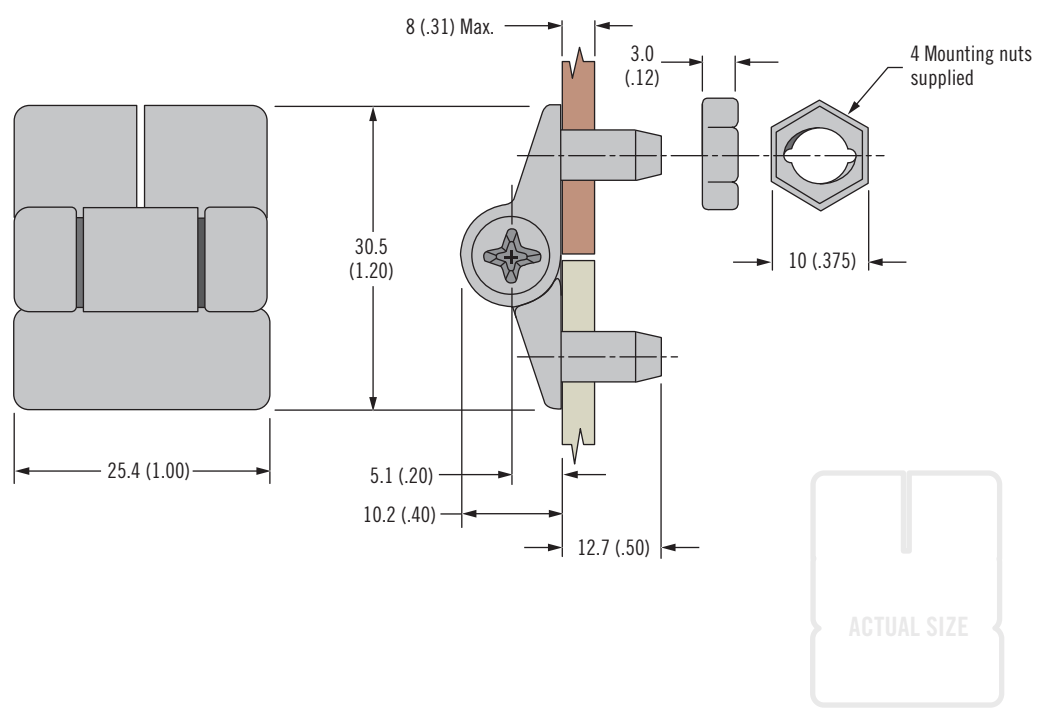
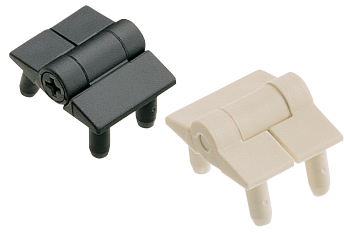
www.southco.com/E6

Dimensions in millimeters (inch) unless otherwise stated

southco
CONNECT · CREATE · INNOVATE

E6 Hinge

Position control · Adjustable torque



- Hold doors open, in position
- User-adjusted holding torque

Material and Finish

Acetal, nylon
 Mounting hardware:
 Steel, zinc plated

Performance Details

Radial load:
 Average ultimate load:
 1150 N (260 lbf)

Axial load:
 Average ultimate load:
 950 N (214 lbf)

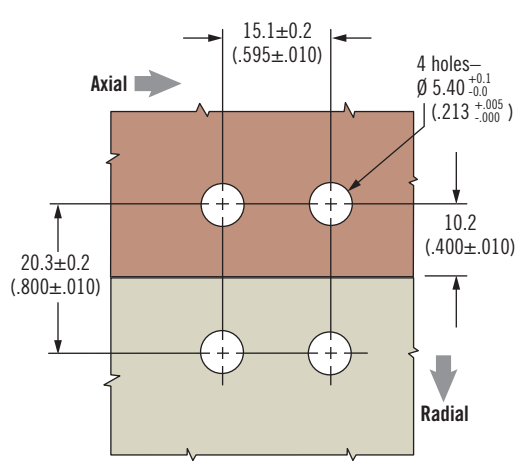
Maximum prevailing torque of hinge:
 0.25 N·m (2.2 in·lbf)

Operating temperature range:
 -5°C (-20°F) to 65°C (150°F)

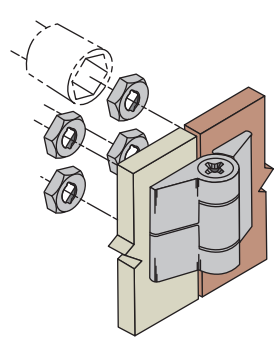
Notes

Packaging: One hinge and four mounting nuts per bag

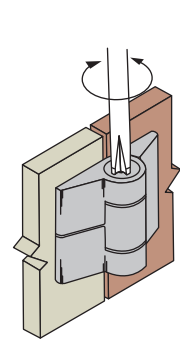
1. Prepare door and frame



2. Mount



3. Adjust torque



Color	Part Number
Black	E6-10-101-20
White	E6-10-101-30

Part Number

See table